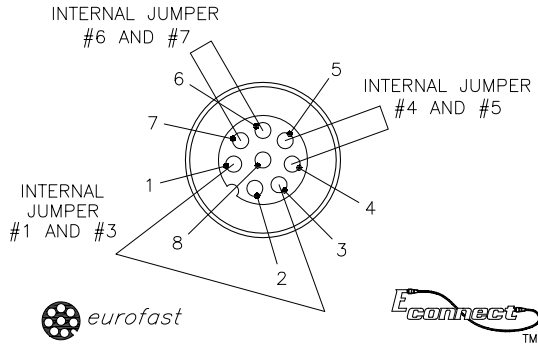
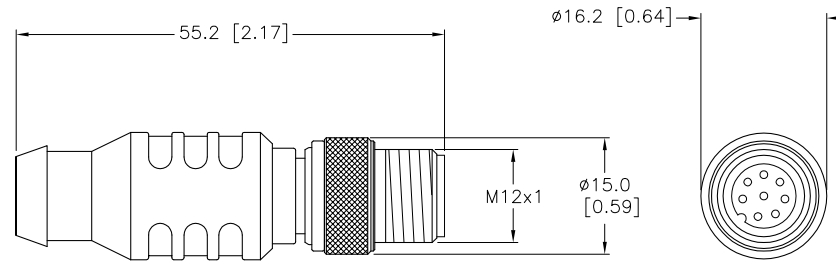


MALE PIN-OUT



SPECIFICATIONS

CONTACT CARRIER MATERIAL/COLOR	TPU/BLACK
MOLDED HEAD MATERIAL/COLOR	TPU/RED
CONTACT MATERIAL/PLATING	GOLD-PLATED BRASS
COUPLING NUT MATERIAL/PLATING	NICKEL-PLATED BRASS
RATED VOLTAGE [V]	250 V
RATED CURRENT [A]	4.0 A
PROTECTION CLASS	MEETS NEMA 1,3,4,6 AND IEC IP67



SOURCE DRAWING - FOR REFERENCE ONLY

RELATED DOCUMENTS 1. 2. 3. 4.	3RD ANGLE PROJECTION	THIS DRAWING IS PROPERTY OF TURCK INC. USE OF THIS DOCUMENT WITHOUT WRITTEN PERMISSION IS PROHIBITED.			3000 CAMPUS DRIVE MINNEAPOLIS, MN 55441 1-800-544-7769 (763) 553-7300 (763) 553-0708 fax turck.com	
			DRFT CBM	DATE 10/21/04	DESCRIPTION	
MATERIAL	ALL DIMENSIONS DISPLAYED ON THIS DRAWING ARE FOR REFERENCE ONLY	DSGN	SCALE 1=1.0	RSC E80 DJ 45/67/13		
FINISH		UNIT OF MEASUREMENT		IDENTIFICATION NO.	REV	
	CONTACT TURCK FOR MORE INFORMATION	MILLIMETER [ INCH ]		R9558-13	B	
		DO NOT SCALE THIS DRAWING		FILE: U9558-13	SHEET 1 OF 1	

B	DRAWING PROCESSED AS PART OF ECO 33971	CBM	04/07/11	33971
REV	DESCRIPTION	BY	DATE	ECO NO.